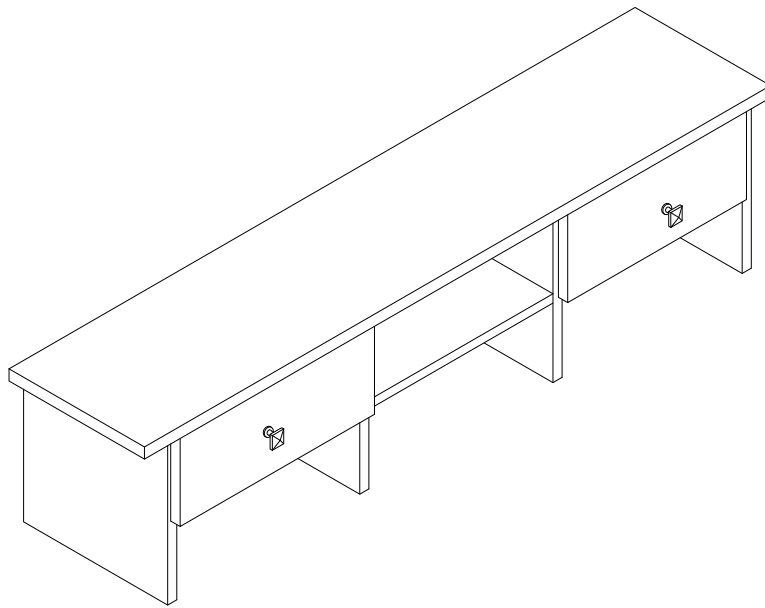
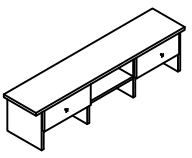





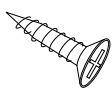
Computer Desk Hutch
CF6509



PART LIST

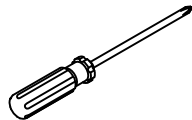
A 	B 
Hutch 1 PC	Desk (ship in separate carton) 1 PC

HARDWARE LIST

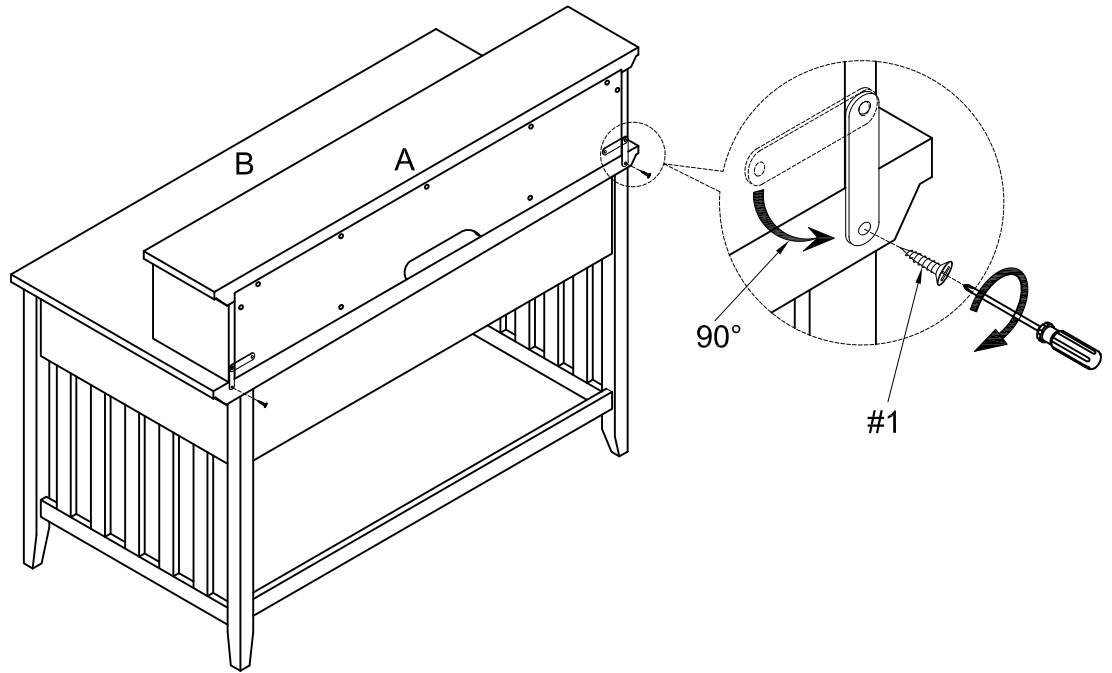
#1  ø4mm*5/8"	Flat Head Screw 3 PCS(Extra 1)
---	-----------------------------------

ADDITIONAL TOOLS(Not Provided)

Note: It is not recommended to use power tools during assembly.



Step 1. Turn the metal connect pieces on hutch (part A) 90° as shown. Attach metal connect pieces to desk top (part B) using flat head screws (part #1) and Phillips head screwdriver.



#1  x 2

